

1

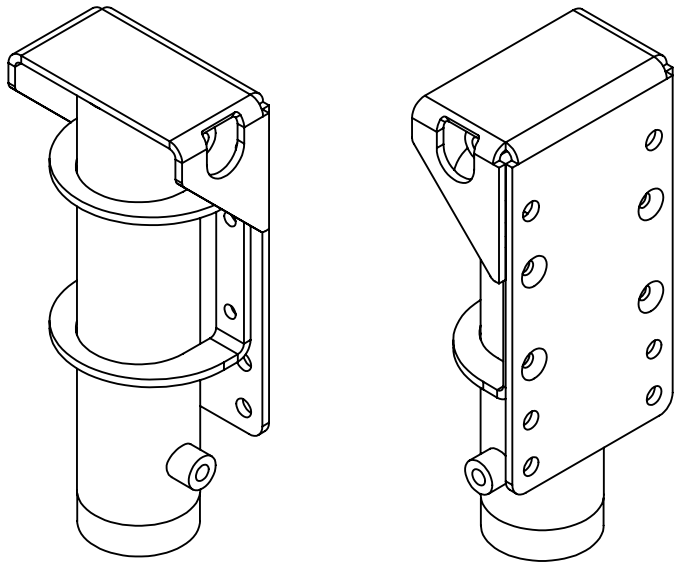
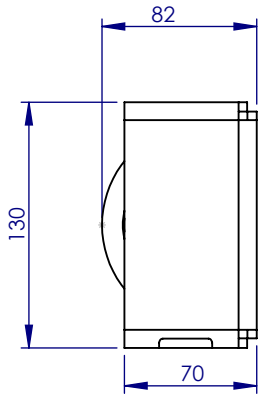
2

3

4

A

A

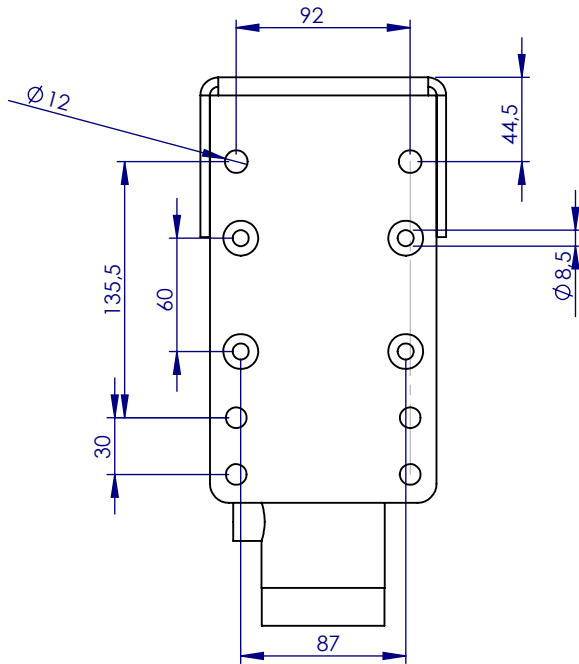
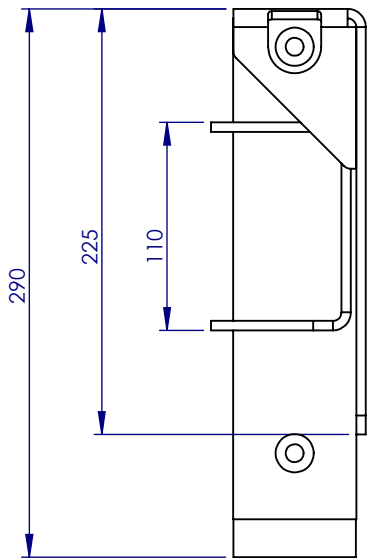


B

B

C

C



D

D

E

E

F

UNLESS OTHERWISE SPECIFIED: DIMENSIONS ARE IN MILLIMETERS BREAK SHARP EDGES: 0,1 TO 0,25 mm TOLERANCES: ISO 2768 - mK		FINISH:	
GENERAL ROUGHNESS: 3.2		AMERICAN PROJECTION	
DRAWN	Bolk	SIGNATURE	DATE
CHK'D			vrijdag 1 jul 2016 09:02:20
SCALE: 1:4		SHEET 1 OF 1	

### Pierik Techniek

Wethouder Beversstraat 189  
7543 BK Enschede  
Tel.: 053 7113860  
Fax: 053 847372673

email: info@pieriktechniek.nl  
homepage: www.pieriktechniek.nl

DWG NO: TITLE:  
**cilinderophanging**

