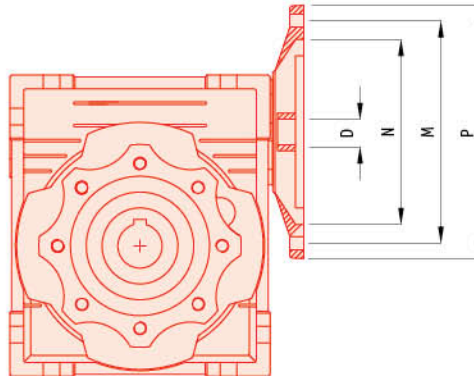




MSF MOTOREDUCTORES DE VIS SIN FIN MSF SERIES WORM GEARED MOTORS

PREDISPOSICIÓN DE ACOPLAMIENTO A MOTOR / MOTOR COUPLING



| TIPO TYPE | PAM IEC | N | M | P | D | | | | | | | | | | | |
|--------------|-------------|-----|-----|-----|-----|----|----|----|----|----|----|----|----|----|-----|--|
| | | | | | 7.5 | 10 | 15 | 20 | 25 | 30 | 40 | 50 | 60 | 80 | 100 | |
| MSF 025 | 56 B14 | 50 | 65 | 80 | 9 | 9 | 9 | 9 | - | 9 | 9 | 9 | 9 | - | - | |
| MSF 030 | 63 B5 | 95 | 115 | 140 | 11 | 11 | 11 | 11 | 11 | 11 | 11 | - | - | - | - | |
| | 63 B14 | 60 | 75 | 90 | - | - | - | - | - | - | - | - | - | - | - | |
| | 56 B5 | 80 | 100 | 120 | 9 | 9 | 9 | 9 | 9 | 9 | 9 | 9 | 9 | 9 | - | |
| MSF 040 | 56 B14 | 50 | 65 | 80 | - | - | - | - | - | - | - | - | - | - | - | |
| | 71 B5 | 110 | 130 | 160 | 14 | 14 | 14 | 14 | 14 | 14 | 14 | - | - | - | - | |
| | 71 B14 | 70 | 85 | 105 | - | - | - | - | - | - | - | - | - | - | - | |
| MSF 050 | 63 B5 | 95 | 115 | 140 | 11 | 11 | 11 | 11 | 11 | 11 | 11 | 11 | 11 | 11 | 11 | |
| | 63 B14 | 60 | 75 | 90 | - | - | - | - | - | - | - | - | - | - | - | |
| | 56 B5 | 80 | 100 | 120 | - | - | - | - | - | - | - | 9 | 9 | 9 | 9 | |
| MSF 063 | 80 B5 | 130 | 165 | 200 | 19 | 19 | 19 | 19 | 19 | 19 | 19 | - | - | - | - | |
| | 80 B14 | 80 | 100 | 120 | - | - | - | - | - | - | - | - | - | - | - | |
| | 71 B5 | 110 | 130 | 160 | - | - | - | - | - | - | 14 | 14 | 14 | 14 | 14 | |
| MSF 075 | 71 B14 | 70 | 85 | 105 | - | - | - | - | - | - | - | - | - | - | - | |
| | 100/112 B5 | 180 | 215 | 250 | 28 | 28 | 28 | - | - | - | - | - | - | - | - | |
| | 100/112 B14 | 110 | 130 | 160 | - | - | - | - | - | - | - | - | - | - | - | |
| MSF 090 | 90 B5 | 130 | 165 | 200 | 24 | 24 | 24 | 24 | 24 | 24 | 24 | - | - | - | - | |
| | 90 B14 | 95 | 115 | 140 | - | - | - | - | - | - | - | - | - | - | - | |
| | 80 B5 | 130 | 165 | 200 | - | - | - | 19 | 19 | 19 | 19 | 19 | 19 | 19 | 19 | |
| MSF 110 | 80 B14 | 80 | 100 | 120 | - | - | - | - | - | - | - | 14 | 14 | 14 | 14 | |
| | 71 B5 | 110 | 130 | 160 | - | - | - | - | - | - | - | - | - | - | - | |
| | 100/112 B5 | 180 | 215 | 250 | 28 | 28 | 28 | 28 | 28 | 28 | - | - | - | - | - | |
| MSF 130 | 100/112 B14 | 110 | 130 | 160 | - | - | - | - | - | - | - | - | - | - | - | |
| | 90 B5 | 130 | 165 | 200 | 24 | 24 | 24 | 24 | 24 | 24 | 24 | 24 | 24 | - | - | |
| | 90 B14 | 95 | 115 | 140 | - | - | - | - | - | - | - | - | - | - | - | |
| MSF 150 | 80 B5 | 130 | 165 | 200 | - | - | - | - | - | - | 19 | 19 | 19 | 19 | 19 | |
| | 132 B5 | 230 | 265 | 300 | 38 | 38 | 38 | 38 | - | - | - | - | - | - | - | |
| | 100/112 B5 | 180 | 215 | 250 | 28 | 28 | 28 | 28 | 28 | 28 | 28 | 28 | 28 | 28 | 28 | |
| MSF 170 | 90 B5 | 130 | 165 | 200 | - | - | - | - | - | 24 | 24 | 24 | 24 | 24 | 24 | |
| | 80 B5 | 130 | 165 | 200 | - | - | - | - | - | - | - | - | - | - | 19 | |
| | 132 B5 | 230 | 265 | 300 | 38 | 38 | 38 | 38 | 38 | 38 | 38 | - | - | - | - | |
| MSF 200 | 100/112 B5 | 180 | 215 | 250 | - | - | - | - | 28 | 28 | 28 | 28 | 28 | 28 | 28 | |
| | 90 B5 | 130 | 165 | 200 | - | - | - | - | - | - | - | - | - | - | 24 | |