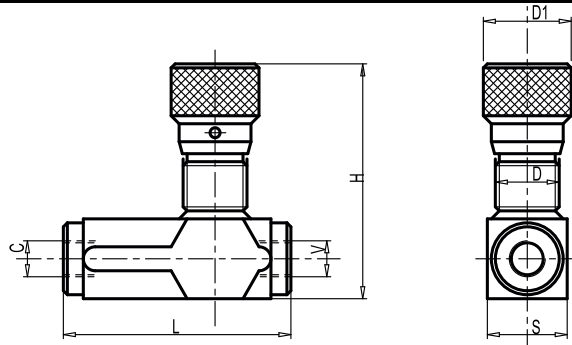
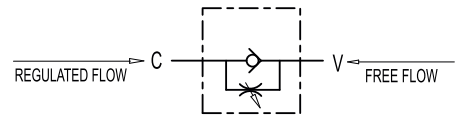


Flow Regulator Valve With Check Valve

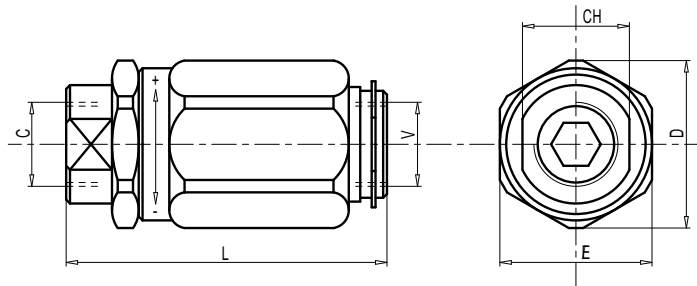


VRFU 90°...

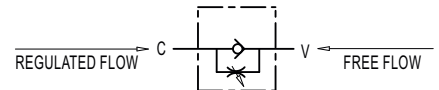


Code Number	Type	Max. Flow	Max. Pressure	L	D	D1	H	S
		Lt./min	Bar	mm	mm	mm	mm	mm
V0581	VRFU 90° 1/4	15	350	73	M22x1,5	32	82	25
V0582	VRFU 90° 3/8	30	350	83	M22x1,5	32	82	25
V0583	VRFU 90° 1/2	50	350	94	M22x1,5	32	87	30
V0588	VRFU 90° 3/4	60	280	118	M35x1,5	42	108	40

Barrel Flow Control Valves with Check

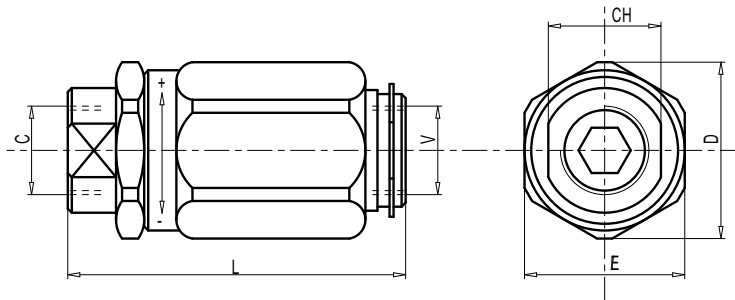


VRF

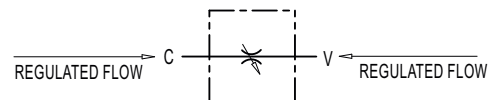


Code Number	Type	Max. Flow	Max..Pressure	Cracking Pressure	V-C	L	E	CH	D
		Lt./min	bar	bar		mm	mm	mm	mm
V0540	VRF 1/4"	20	300	0.5	G 1/4"	66.5	30	19	34
V0550	VRF 3/8"	45	300	0.5	G 3/8"	73	32	24	36
V0560	VRF 1/2"	70	300	0.5	G 1/2"	80	38	27	42
V0570	VRF 3/4"	110	250	0.5	G 3/4"	95	46	32	51
V0580	VRF 1"	160	250	0.5	G 1"	109	55	41	60

Barrel Flow Control Valves No Check



VRB



Code Number	Type	Max. Flow	Max..Pressure	V-C	L	E	CH	D
		Lt./min	bar		mm	mm	mm	mm
V0545	VRB 1/4"	20	300	G 1/4"	66.5	30	19	34
V0555	VRB 3/8"	45	300	G 3/8"	73	32	24	36
V0565	VRB 1/2"	70	300	G 1/2"	80	38	27	42
V0575	VRB 3/4"	110	250	G 3/4"	95	46	32	51
V0585	VRB 1"	160	250	G 1"	109	55	41	60