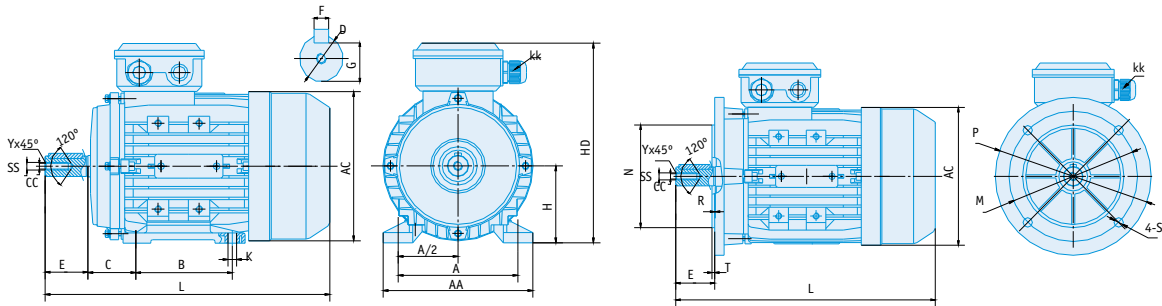


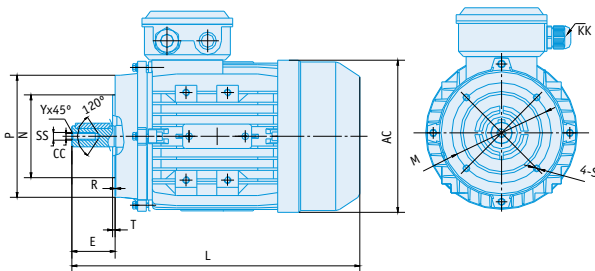
# DIMENSIONS

Aluminum motors **IE2-MS** series

Construction Types **B3 - B5 - B5R - B14 - B14G**



IM B3 / IM 1001											Shaft Tolerances J6					IM B5 / IM 3001 4 Holes at 45°				
Frame	A	AA	AC	B	C	H	HD	K	KK	L	D	SS	E	F	G	M	N	P	S	T
<b>80</b>	125	155	158	100	50	80	210	10	1-M20x1.5	295	19	M6	40	6	15.5	165	130	200	12	3.5
<b>90S</b>	140	180	179	100	56	90	228	10	1-M20x1.5	320	24	M8	50	8	20	165	130	200	12	3.5
<b>90L</b>	140	180	179	125	56	90	228	10	1-M20x1.5	345	24	M8	50	8	20	165	130	200	12	3.5
<b>100</b>	160	200	202	140	63	100	260	12	1-M20x1.5	385	28	M10	60	8	24	215	180	250	15	4.0
<b>112</b>	190	233	225	140	70	112	285	12	2-M25x1.5	410	28	M10	60	8	24	215	180	250	15	4.0
<b>132S</b>	216	255	260	140	89	132	325	12	2-M25x1.5	470	38	M12	80	10	33	265	230	300	15	4.0
<b>132M</b>	216	255	260	178	89	132	325	12	2-M25x1.5	510	38	M12	80	10	33	265	230	300	15	4.0



IM B5R 4 Holes at 45°					
Frame	M	N	P	S	T
80	130	110	160	12	3.5
90	130	110	160	12	3.5
100	165	130	200	15	3.5
112	165	130	200	15	3.5
132	215	180	250	15	4.0

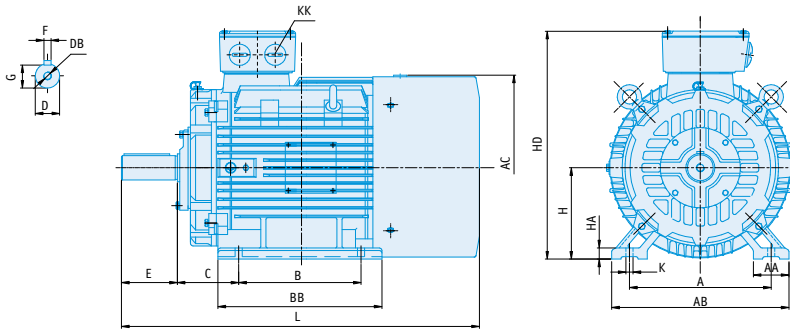
IM B14 / IM 3601 4 Holes at 45°					
Frame	M	N	P	S	T
80	100	80	120	M6	3.0
90	115	95	140	M8	3.0
100	130	110	160	M8	3.5
112	130	110	160	M8	3.5
132	165	130	200	M10	4.0

IM B14G / IM 3601 G 4 Holes at 45°					
Frame	M	N	P	S	T
80	130	110	160	M8	3.5
90	130	110	160	M8	3.5
100	165	130	200	M10	3.5
112	165	130	200	M10	3.5
132	215	180	250	M12	4.0

\*The dimensions are not restricted to the series, for more info please ask. Dimensions MSX series.

# DIMENSIONS

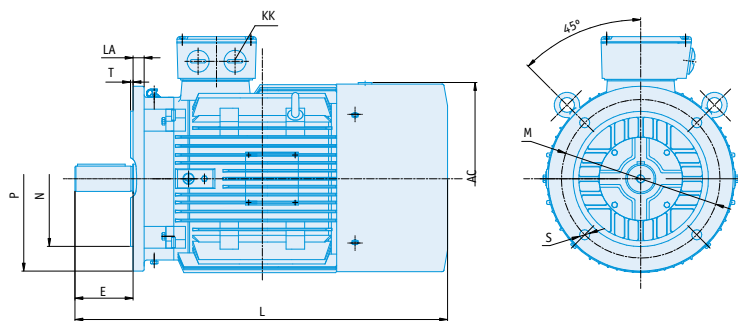
Cast iron **IE1-IE2 EG** series  
Construction Types **B3 - B5**



IM B3 / IM 1001															Shaft tolerances				
Frame	Poles	A	AA	AB	AC	B	BB	C	H	HA	HD	K	KK	L	D	DB	E	F	G
160M	2-8	254	73	320	330	210	318	108	160	20	420	15	2-M40x1.5	659	42	M16x36	110	12	37
160L	2-8	254	73	320	330	254	362	108	160	20	420	15	2-M40x1.5	714	42	M16x36	110	12	37
180M	2-8	279	73	355	380	241	349	121	180	22	455	15	2-M40x1.5	738	48	M16x36	110	14	42.5
180L	2-8	279	73	355	380	279	387	121	180	22	455	15	2-M40x1.5	778	48	M16x36	110	14	42.5
200L	2-8	318	73	395	400	305	375	133	200	25	505	19	2-M50x1.5	770	55	M20x42	110	16	49
225S	4-8	356	83	435	470	286	375	149	225	28	560	19	2-M50x1.5	820	60	M20x42	140	18	53
225M	2	356	83	435	470	311	400	149	225	28	560	19	2-M50x1.5	815	55	M20x42	110	16	49
225M	4-8	356	83	435	470	311	400	149	225	28	560	19	2-M50x1.5	845	60	M20x42	140	18	53
250M	2	406	88	490	510	349	450	168	250	30	615	24	2-M63x1.5	910	60	M20x42	140	18	53
250M	4-8	406	88	490	510	349	450	168	250	30	615	24	2-M63x1.5	910	65	M20x42	140	18	58
280S	2	457	93	550	547	368	490	190	280	35	680	24	2-M63x1.5	985	65	M20x42	140	18	58
280S	4-8	457	93	550	547	368	490	190	280	35	680	24	2-M63x1.5	985	75	M20x42	140	20	67.5
280M	2	457	93	550	547	419	540	190	280	35	680	24	2-M63x1.5	1035	65	M20x42	140	18	58
280M	4-8	457	93	550	547	419	540	190	280	35	680	24	2-M63x1.5	1035	75	M20x42	140	20	67.5
315S	2	508	120	635	645	406	575	216	315	45	845	28	2-M63x1.5	1185	65	M20x42	140	18	58
315S	4-8	508	120	635	645	406	575	216	315	45	845	28	2-M63x1.5	1215	80	M20x42	170	22	71
315M	2	508	120	635	645	457	685	216	315	45	845	28	2-M63x1.5	1295	65	M20x42	140	18	58
315M	4-8	508	120	635	645	457	685	216	315	45	845	28	2-M63x1.5	1325	80	M20x42	170	22	71
315L	2	508	120	635	645	508	685	216	315	45	845	28	2-M63x1.5	1295	65	M20x42	140	18	58
315L	4-8	508	120	635	645	508	685	216	315	45	845	28	2-M63x1.5	1325	80	M20x42	170	22	71
355M	2	610	120	730	710	560	750	254	355	52	1010	28	2-M63x1.5	1500	75	M24x50	140	20	67.5
355M	4-8	610	120	730	710	560	750	254	355	52	1010	28	2-M63x1.5	1530	100	M24x50	210	28	90
355L	2	610	120	730	710	630	750	254	355	52	1010	28	2-M63x1.5	1500	75	M24x50	140	20	67.5
355L	4-8	610	120	730	710	630	750	254	355	52	1010	28	2-M63x1.5	1530	100	M24x50	210	28	90

Shaft tolerances. Diameter up to 48 are k6. Rest are m6.

IM B5 / IM 3001						
Frame	P	N	M	S	T	LA
160	350	250	300	19	5	15
180	350	250	300	19	5	18
200	400	300	350	19	5	18
225	450	350	400	19	5	20
250	550	450	500	19	5	22
280	550	450	500	19	5	22
315	660	550	600	24	6	24
355	800	680	740	24	6	24



Frame 160, 180 and 200, 4 holes at 45°. Rest 8 holes at 22.5°.

\* The dimensions are not restricted to the series, for more info please ask. Dimensions EGQ series.