



60001-4



60002-4

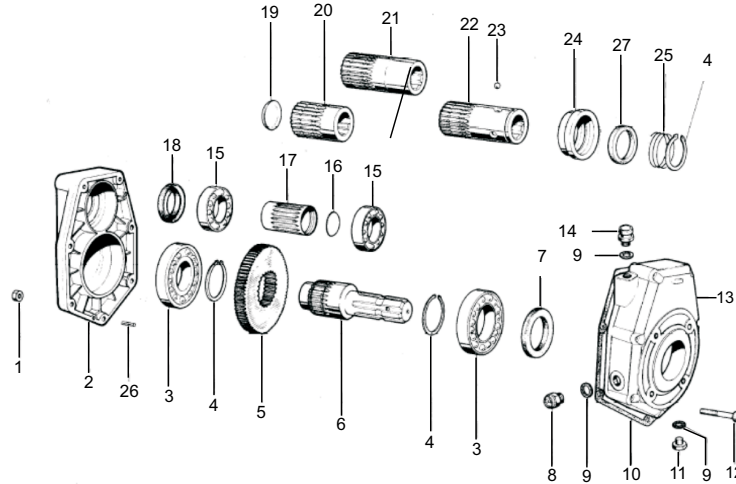


60003-4



60004-4

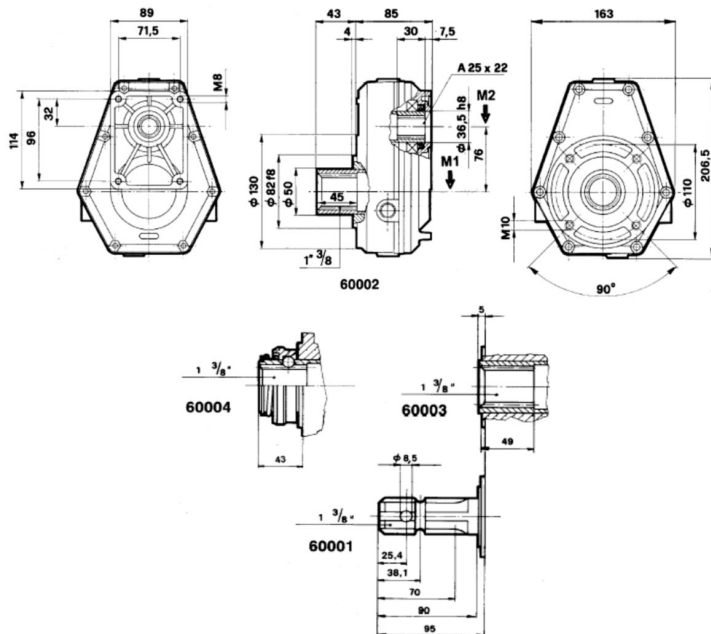
**SPARE PARTS FOR SERIE 60000**



No	Description	Quantity
1	Nut M6	8
2	Cover	1
3	Bearing type 6010	2
4	φ Snap Ring 50	3
5	Ring Gear	1
6	Male P.T.O. Shaft 1" 3/8	1
7	φ Sealing Ring 50x65x8	1
8	Oil Level Plug 3/8"	1
9	Gasket	3
10	Gasket	1
11	Oil Drain Plug 3/8"	1
12	Socket Capscrew M6x50	8
13	Housing	1

14	Oil Breather Plug 3/8"	1
15	Bearing Type 6007	2
16	φ Cap DIN 470 27	1
17	Pinion Gear	1
18	φ Sealing Ring 35x52x7	1
19	φ Cap DIN 470 40	1
20	Female P.T.O Shaft 1" 3/8 Short	1
21	Female P.T.O Shaft 1" 3/8 Long	1
22	Female P.T.O Shaft Quick Fitting	1
23	Ball	3
24	Spring Ring	1
25	Spring	1
26	Peg 5x16	2
27	Ring	1

**TECHNICAL INFORMATION**



Moment/M1	Moment/M2	Speed/N1	Speed/N2	N2/N1	Power	Weight
daNm	daNm	rpm	rpm		kW	kg
17.8	11.9	540	810	1.5	10	5.5
15.2	7.6	540	1080	2	10	5.5
16.5	6.6	540	1350	2.5	10	5.5
18	5.5	540	1680	3	10	5.5
18.6	5.8	540	1836	3.5	10	5.5
15.9	4.2	540	2052	3.8	10	5.5

\*Max. Oil Level: 0.22 lt