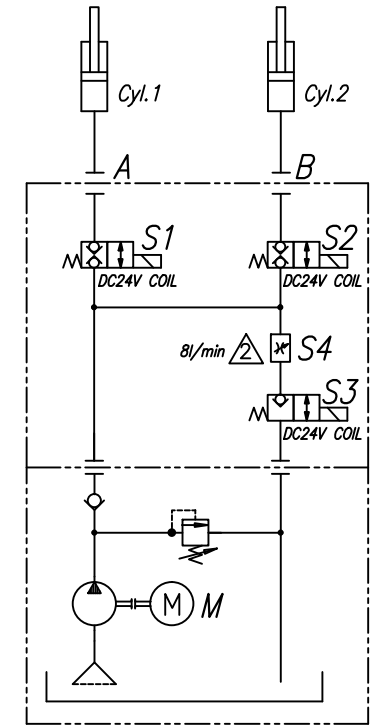
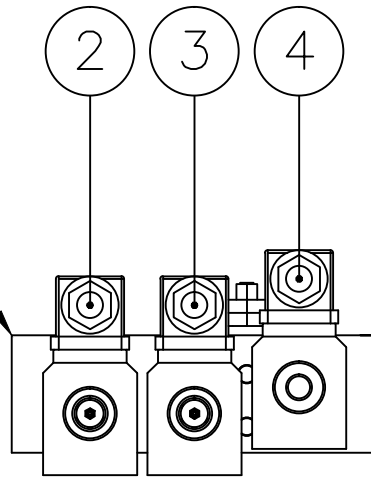
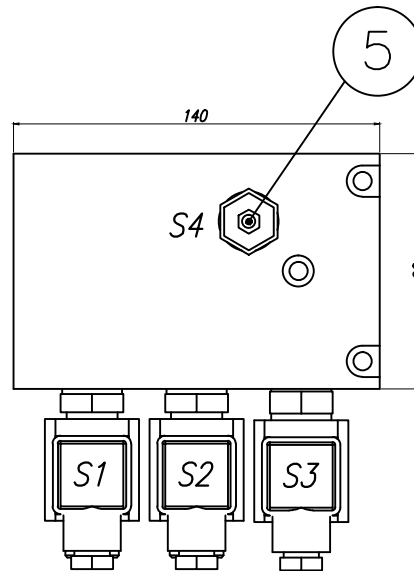


Output Ports are G3/8"



Cylinder Working		Coils to be energized			
		M	S1	S2	S3
Cyl. 1	UP	○	○		
	DOWN		○		○
Cyl. 2	UP	○		○	
	DOWN			○	○

5	Pressure Comp.	-	-	1	S4
4	Poppet Valve-3	-	-	1	S3
3	Poppet Valve-2	-	-	1	S2
2	Poppet Valve-1	-	-	1	S1
1	CIRCUIT BLOCK	-	A6061	1	-
NO.	DESCRIPTION	DWG No.	MATERIAL	Q'TY	REMARKS

MATERIAL	HEAT TREAT	Q'TY	SCALE	DESCRIPTION
-	-		1/1	TAIL LIFT POWER PACK VALVE BLOCK SUB ASSY
DO NOT SCALE DRAWING			APP. DATE 10/05/17	DRAWING NO. BLGSS_TK
			CH. DATE	R2
			CH. DATE	A3
			DR. DATE	