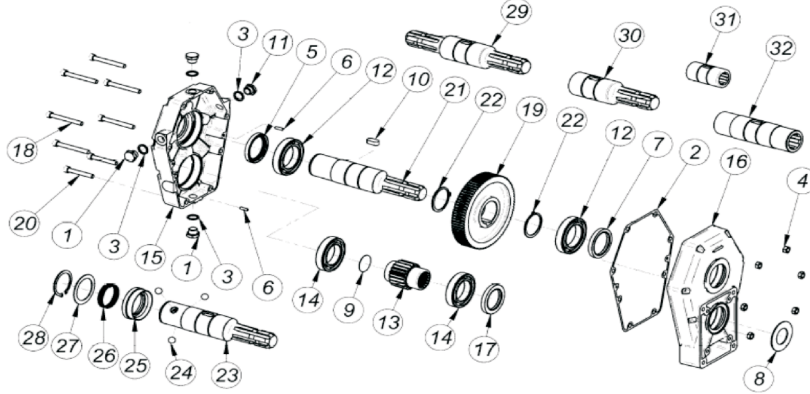


70007-4/24

70008

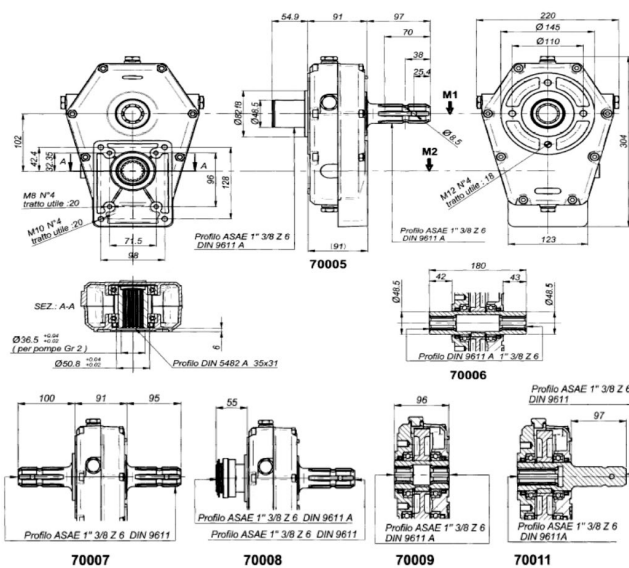
**SPARE PARTS FOR SERIE 70000**



No	Description	Quantity
1	Oil drain plug 3/8"	3
2	Gasket	1
3	Gasket	4
4	Nut M8	6
5	Sealing ring $\Phi$ 50x65x8	1
6	Pen UNI 8751 5x16	2
7	Sealing ring $\Phi$ 50x65x8	1
8	Centering ring for pmup group 2	1
9	Cap DIN 470 37	1
10	Key 12x25	1
11	Oil draing plug 3/8"	1
12	Bearing 6010	2
13	Pinion Gear	1
14	Bearing 6009	2
15	Housing	1
16	Cover	1

17	Sealing ring 45x65x8	1
18	Socket capscrew M8x70	6
19	Ring rear	1
20	Socket capscrew M8x55	2
21	Female/Male P.T.O. shaft 1" 3/8 Z6	1
22	Sanp ring 50	2
23	Female/Male P.T.O. quick fitting shaft 1" 3/8 Z6	1
24	Ball	3
25	Spring Ring	1
26	Spring	1
27	Ring	1
28	Snap ring UNI 7435-50	1
29	MaleM/ale P.T.O. shaft 1" 3/8 Z6	1
30	Female/Male P.t.O. shaft 1" 3/8 Z6 short	1
31	Female P.T.O. shaft 1" 3/8 Z6 short	1
32	Female P.T.O. shaft 1" 3/8 Z6	1

**TECHNICAL INFORMATION**



Moment/M1 daNm	Moment/M2 daNm	Speed/N1 rpm	Speed/N2 rpm	N2/N1	Power kW	Weight kg
31	31	540	540	1	20	9.5
38	26	540	810	1.5	20	9.5
43	21	540	1080	2	20	9.5
46	18	540	1408	2.5	20	9.5
49	16	540	1620	3	20	9.5
46	13	540	1836	3.5	20	9.5
43.7	11.5	540	2057	3.8	20	9.5

\*Max. Oil Level: 0.35 lt