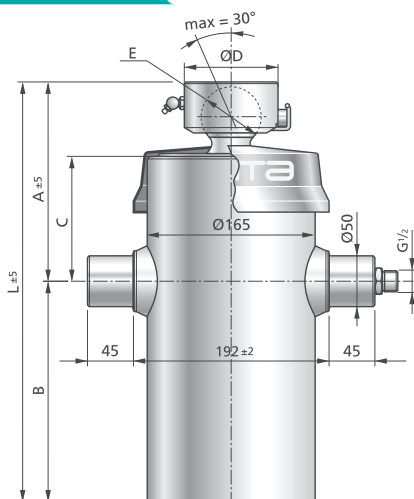


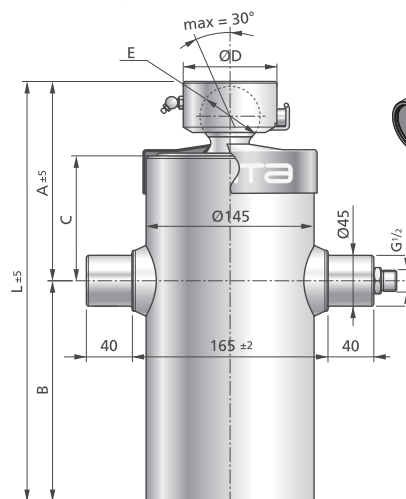
## CILINDRO TELESCOPICO SEMPLICE EFFETTO SINGLE ACTING TELESCOPIC CYLINDER

### LIGHT DUTY

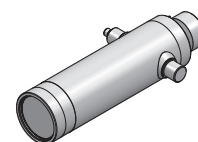
SFILATI NON CROMATI  
NOT CHROME-PLATED EXTENSIONS



L140



L120



Codice Code	Tipo Type	Sfilate Extension	Corsa Stroke	Volume Olio Working oil volume dm <sup>3</sup>	Pressione Max di lavoro Max Working Pressure bar	Forza ribaltabile Tipping Capacity ton	L	A	B	C	D	E	kg
<b>L 140    Ø 140 * 120 * 105 * 90 * 75 * 60</b>													
IH3104001406001	BL400 1947 140 6	6	1947	16.0	180	11-18	510	234	276	162	92	58	61,00
IH3104001405001	BL400 1625 140 5	5	1625	15.1	180	13-22	510	234	276	162	92	58	63,00
IH3104001404001	BL400 1307 140 4	4	1307	13.7	180	15-25	510	234	276	162	92	58	53,00
IH3103001406001	BL300 1383 140 6	6	1383	11.4	180	11-18	416	242	174	170	92	58	49,00
IH3103001405001	BL300 1155 140 5	5	1155	10.8	180	13-22	416	242	174	170	92	58	50,00
IH3103001404001	BL300 930 140 4	4	930	9.8	180	15-25	416	242	174	170	92	58	43,00
IH3102701406001	BL270 1197 140 6	6	1197	9.9	180	11-18	385	204	181	132	92	58	45,00
IH3102701405001	BL270 1000 140 5	5	1000	9.3	180	13-22	385	204	181	132	92	58	46,00
IH3102701404001	BL270 806 140 4	4	806	8.5	180	15-25	385	204	181	132	92	58	40,00
<b>L 120    Ø 120 * 105 * 90 * 75 * 60 * 45</b>													
IH3104451206001	BL445 2250 120 6	6	2250	13.2	200	7-14	541	143	398	88	74	43	50,00
IH3104451205001	BL445 1875 120 5	5	1875	12.6	200	9-17	558	160	398	88	92	58	55,00
IH3104451204001	BL445 1501 120 4	4	1501	11.6	200	11-21	558	160	398	88	92	58	55,00
IH3104101206001	BL410 2057 120 6	6	2057	12.1	200	7-14	508	215	293	160	74	43	47,00
IH3104101205001	BL410 1710 120 5	5	1710	11.5	200	9-17	525	232	293	160	92	58	50,00
IH3104101204001	BL410 1369 120 4	4	1369	10.6	200	11-21	525	232	293	160	92	58	51,00
IH3103701203001	BL370 896 120 3	3	896	7.9	200	13-24	480	197	283	125	92	58	38,00
IH3103601206001	BL360 1727 120 6	6	1727	10.2	200	7-14	453	180	273	125	74	43	42,00
IH3103601205001	BL360 1435 120 5	5	1435	9.7	200	9-17	470	197	273	125	92	58	44,00
IH3103601204001	BL360 1145 120 4	4	1145	8.8	200	11-21	470	197	273	125	92	58	46,00
IH3103051206001	BL305 1415 120 6	6	1415	8.3	200	7-14	401	180	221	125	74	43	36,00
IH3103051205001	BL305 1175 120 5	5	1175	7.9	200	9-17	418	197	221	125	92	58	39,00
IH3102751206001	BL275 1241 120 6	6	1241	7.3	200	7-14	372	180	192	125	74	43	37,00
IH3102751205001	BL275 1030 120 5	5	1030	7.0	200	9-17	389	197	192	125	92	58	35,00

A RICHIESTA : Cilindri telescopici con sfili cromati

ON REQUEST : Telescopic cylinders with chrome-plated extensions