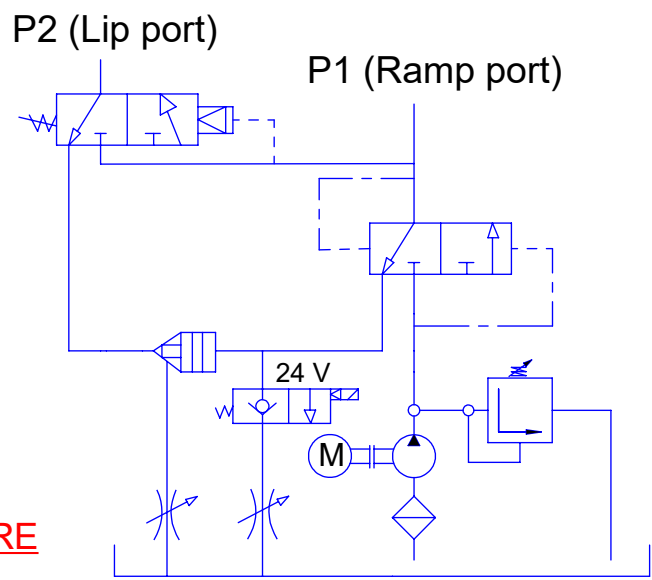
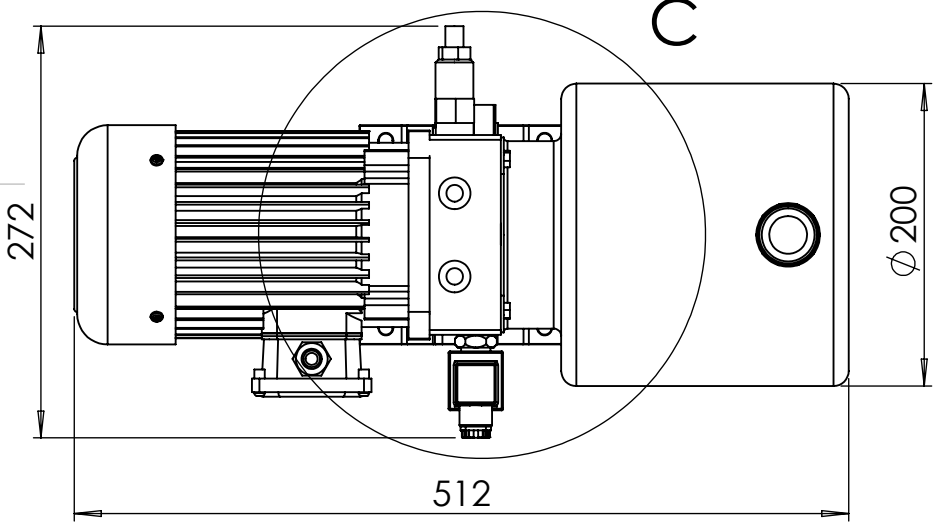


**Hydraulic Circuit**  
P1, P2 = G 1/4



**ELECTRIC MOTOR**

**PUMP & OIL TANK**

**MAX. PRESSURE**

Power: 0.75 kW

Pump displacement: 2.1 cc/rev

P: 135 bar

Voltage: 380 V AC

Tank Capacity: 6 liter, horizontal

**Notes:**

DESIGNED BY	NAME	SIGNATURE	DATE	MATERIAL:

DESCRIPTION  
**DOCK LEVELER POWER PACK WITH POPPET VALVE**

A4