

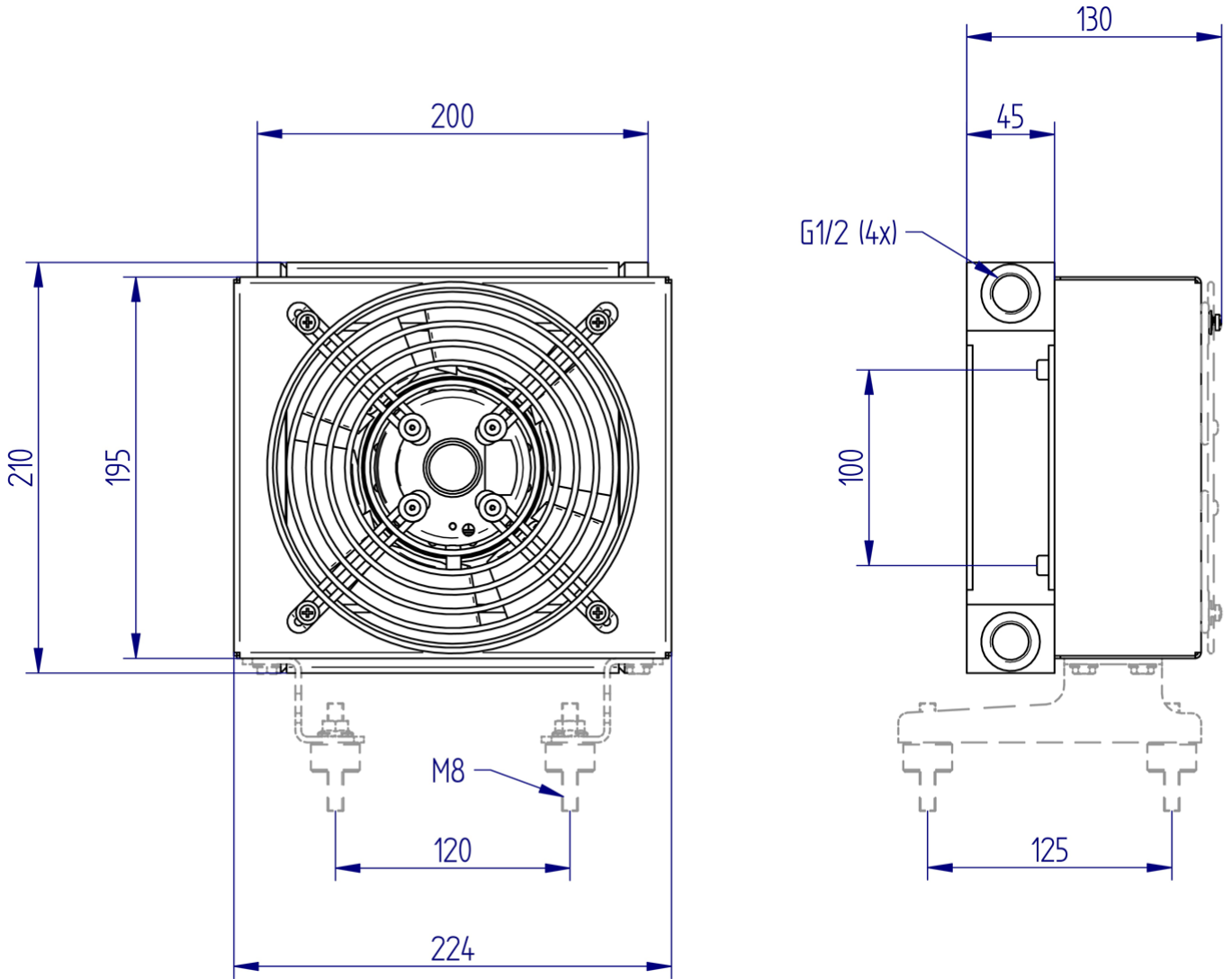
HY series
HY010.1-01A

AIR-OIL HEAT EXCHANGERS

IP44

230

Volt

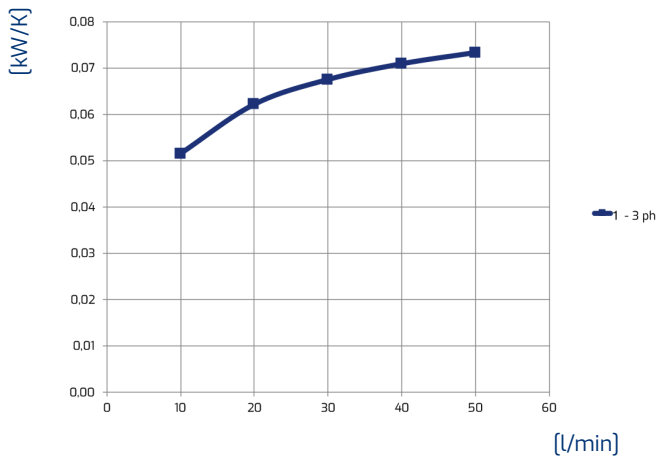


Technical data

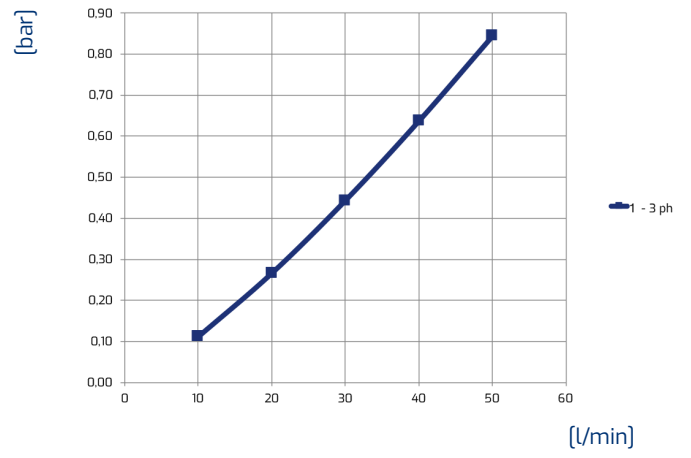
Item	Oil flow	Capacity	Weight	Voltage	Frequency	Current absorption	Power	Ø Fan	Air flow	Noise level	Rpm
	[l/min]	[l]	[kg]	[V]	[Hz]	[A]	[W]	[mm]	[m ³ /h]	[db(A)]	
HY010.1-01A	10-50	0,7	5	230	50/60	0,23	47	170	330	62	

Performance

Pressure drop



Oil T 80°C
 T Amb. 40°C
 1 kW = 860 Kcal/h – 1 HP = 0,75 kW



ISO VG 32 at 40°C

Viscosity - ISO VG 32 Oil

Oil	22	32	46	68	150
Correction factor	0,8	1	1,2	1,6	3

Technical data are not binding