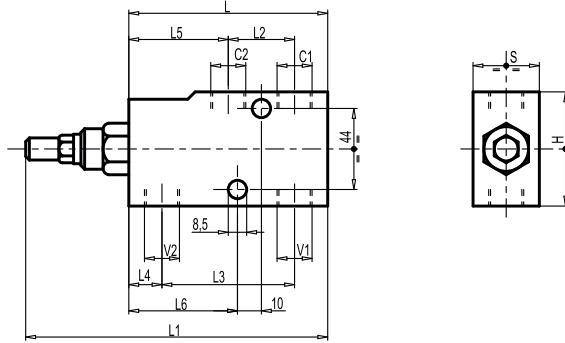
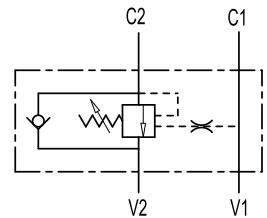
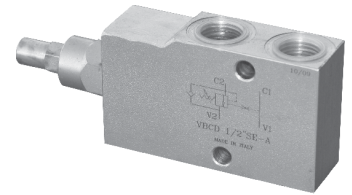


## Single Over Centre Valve

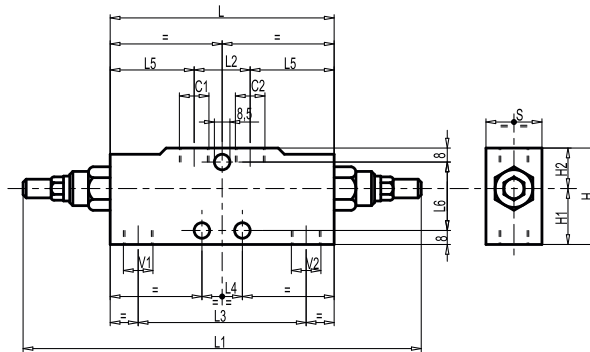


## VBCD...SE

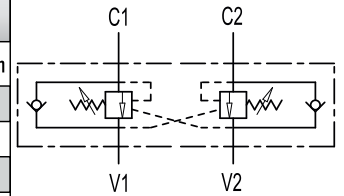
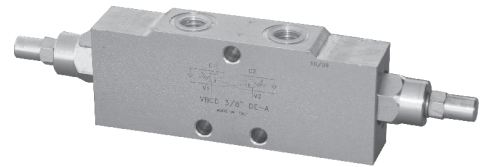


Code Number	Type	Max. Flow	Max. Pressure	Pilot Ratio	L	L1	L2	L3	L4	L5	L6	H	L6
		Lt./min	Bar		mm	mm	mm	mm	mm	mm	mm	mm	mm
V0382	VBCD 1/4 SE/A	20	350	1:4,5	100	149	30	60	20	50	55	60	30
V0392	VBCD 3/8 SE/A	40	350	1:4,5	100	149	30	60	20	50	55	60	30
V0412	VBCD 1/2 SE/A	60	350	1:4,5	100	149	36	65	20	50	57,5	60	30
V0419	VBCD 3/4 SE/A	95	350	1:5,5	127	192	46	85	23,5	62,5	75	80	35

## Double Over Centre Valve

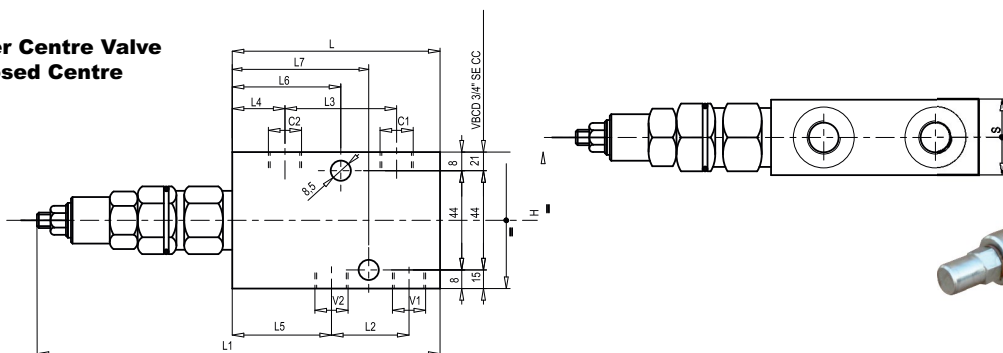


## VBCD...DE

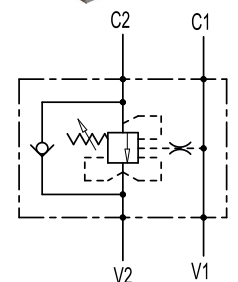
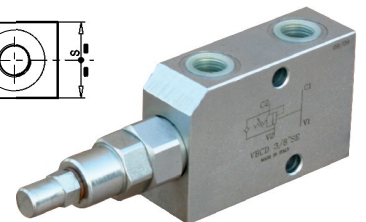


Code Number	Type	Max. Flow	Max. Pressure	Pilot Ratio	L	L1	L2	L3	L4	L5	L6	H1	H2	H	S
		Lt./min	Bar		mm	mm	mm	mm	mm	mm	mm	mm	mm	mm	mm
V0418	VBCD 1/4 DE/A	20	350	1:4,5	150	248	50	110	30	50	44	32	28	60	30
V0422	VBCD 3/8 DE/A	40	350	1:4,5	150	248	50	110	30	50	44	32	28	60	30
V0432	VBCD 1/2 DE/A	60	350	1:4,5	150	248	50	110	30	50	44	32	28	60	30
V0435	VBCD 3/4 DE/A	95	350	1:5,5	190	320	65	143	44	62,5	64	40	40	80	35

## Single Over Centre Valve For Closed Centre



## VBCD...SE CC



Code Number	Type	Max. Flow	Max. Pressure	Pilot Ratio	L	L1	L2	L3	L4	L5	L6	L7	H	S
		Lt./min	Bar		mm	mm	mm	mm	mm	mm	mm	mm	mm	mm
V0407	VBCD 1/4 SE CC	35	350	1:3,1	90	174	32	48	23	42	48	58	60	30
V0408	VBCD 3/8 SE CC	50	350	1:3,1	90	174	35	48	23	40	48	58	60	30
V0409	VBCD 1/2 SE CC	105	350	1:5,5	118	202	47	71	23	47	72	72	80	35